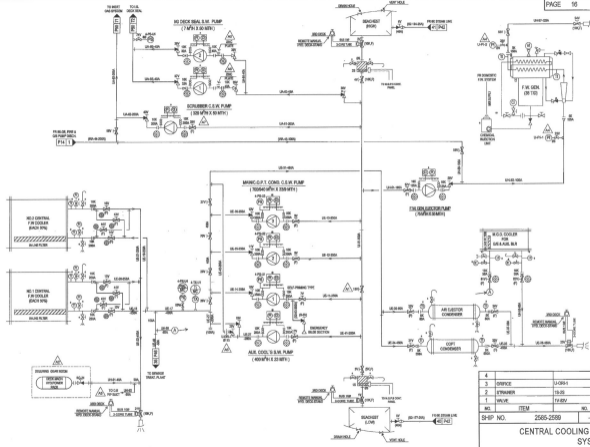


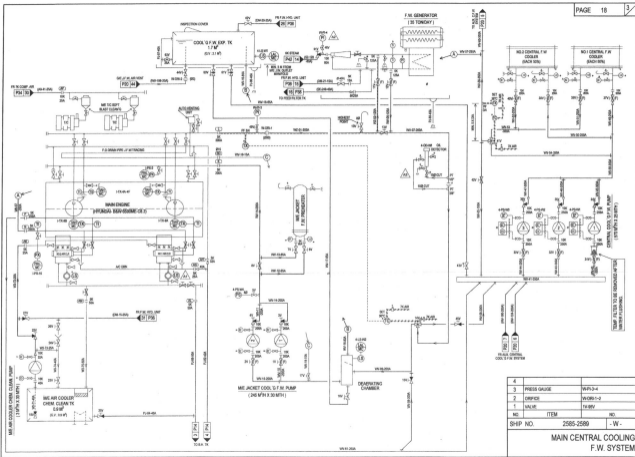
4	SEBT GLASS	150-255
3	STRAINER	15-35
2	M.D.(ROSS) GCE	SM-66 (15-25)
1	VALVE(OFFICE)	16-20V (6-26-1)
NO.	ITEM	NO.

SHIP NO. 2565-2569 - B -

BILGE, BALLAST, FIRE AND WASH DECK SYSTEM

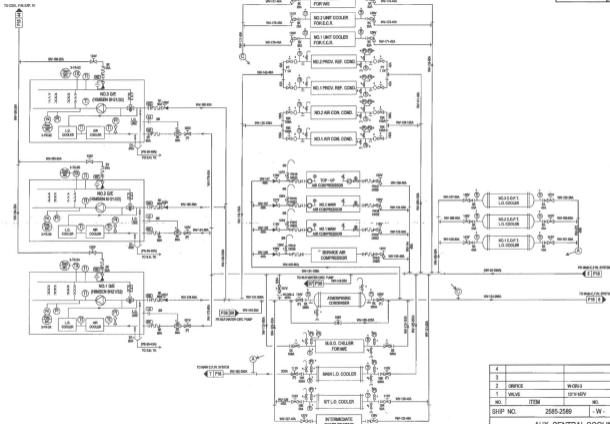


4		
3	DRYER	U-DR-1
2	EXHAUSER	TS-25
1	FW/VE	TV-25V
NO.	ITEM	NO.
SHIP NO. 2565-2580		- U -
CENTRAL COOLING S.W. SYSTEM		



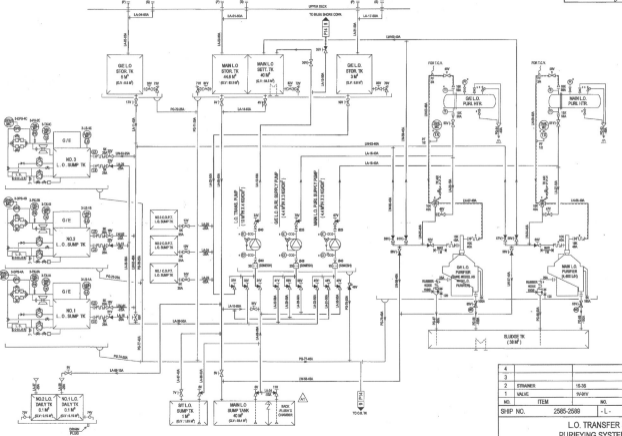
4		
3	PRESS GAUGE	W/P3-4
2	DRIFTER	W/OB1-2
1	VALVE	TV-8BV
NO.	ITEM	NO.
SHIP NO. 2585-2589 - W -		

MAIN CENTRAL COOLING
 F.W. SYSTEM



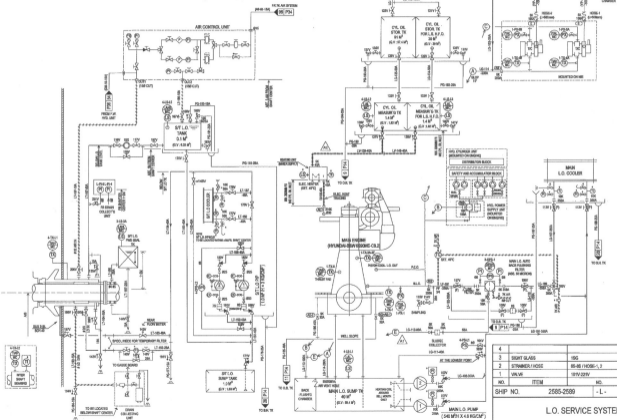
4		
3		
2	ORifice	W083
1	VALVE	12V 48V
NO.	ITEM	NO.
SHP NO. 2585-2589		- W -

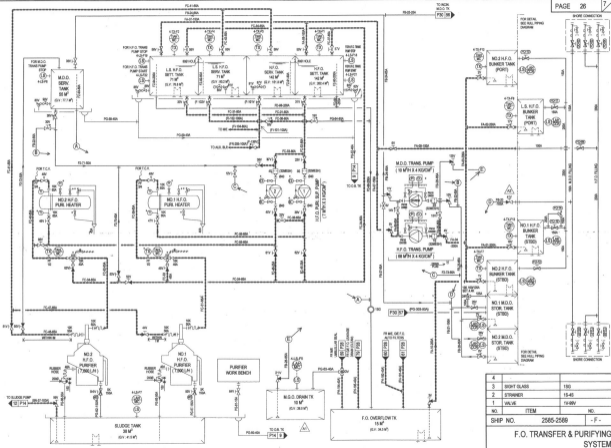
AUX. CENTRAL COOLING F.W. SYSTEM



4		
3		
2	STRAINER	15-38
1	VALVE	1/4"BY
NO.	ITEM	NO.
SHIP NO. 2585-2588		- L -

L.O. TRANSFER & PURIFYING SYSTEM

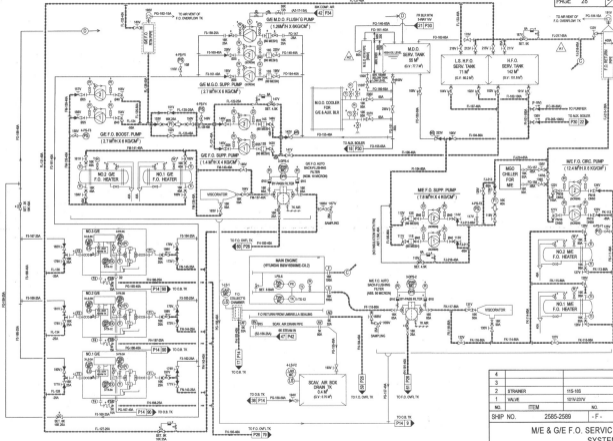




NO.	ITEM	NO.
4		
3	SIGHT GLASS	150
2	STOPPER	15-45
1	VALVE	15-99

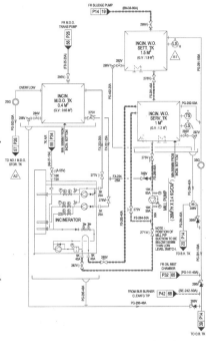
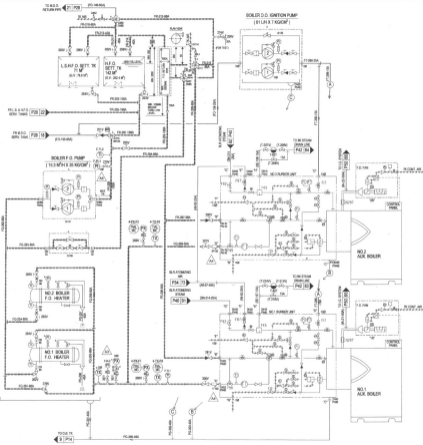
SHP NO. 2565-2566 - F -

F.O. TRANSFER & PURIFYING
SYSTEM



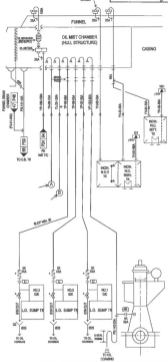
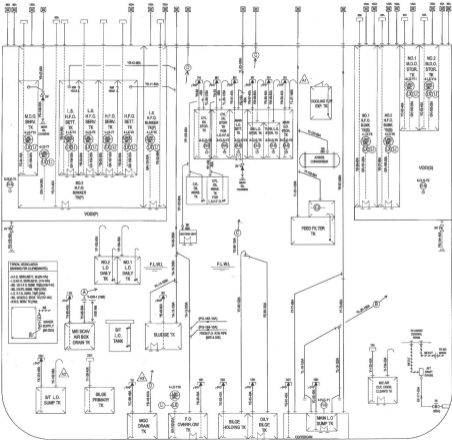
4			
3			
2	STRAINER	115-150	
1	VALVE	107N/220V	
NO.	ITEM		NO.
SHIP NO.		2585-2589	- F -

ME & G/F F.O. SERVICE SYSTEM



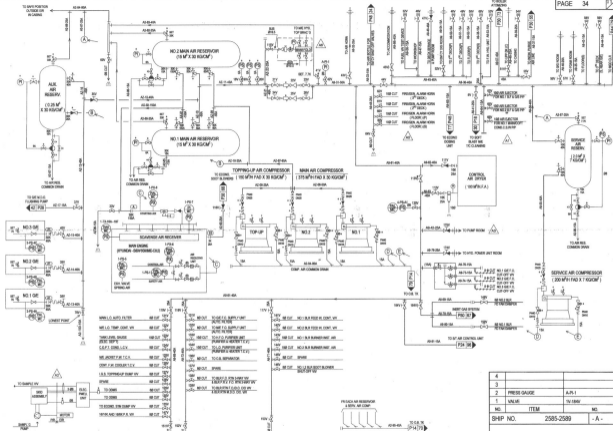
4	PRESS GAUGE	F.P.1-2
3	TEMP GAUGE	T-1-1-2
2	SIGHT GLASS	SG-200
1	VALVE	2574-300V
NO.	ITEM	NO.
SHIP NO. 2585-2589		- F -

BOILER & INCINERATOR F.O. SERVICE SYSTEM



4	CONTENT LEVEL GAUGE	6-CLG-11-FS
3	SOUNDING HEAD	942H
2	ORIFICE	Y-OR-1
1	VALVE	7V-2W
NO.	ITEM	NO.
SHIP NO. 2585-2589		- Y -

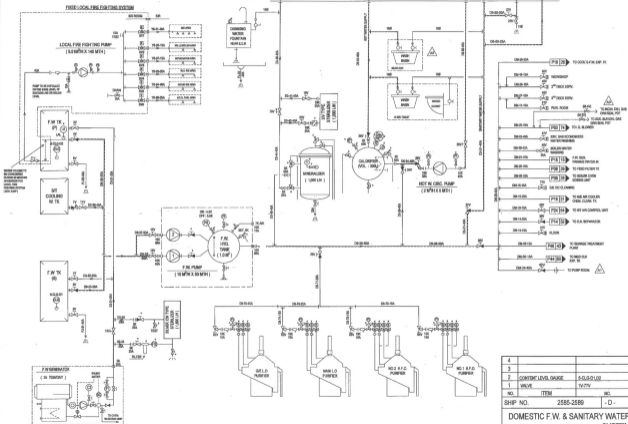
AIR VENT AND SOUNDING SYSTEM



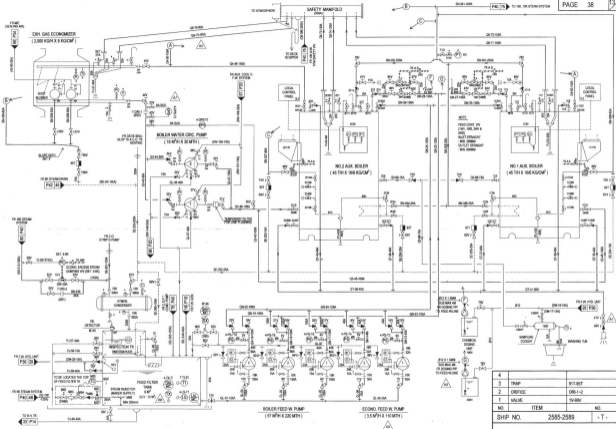
- | | | | |
|----------------------|----------------------|----------------------|-----------------------|
| NO. 1 AIR FILTER | NO. 2 AIR FILTER | NO. 3 AIR FILTER | NO. 1 PRESSURE GAUGE |
| NO. 2 PRESSURE GAUGE | NO. 3 PRESSURE GAUGE | NO. 1 PRESSURE GAUGE | NO. 2 PRESSURE GAUGE |
| NO. 1 PRESSURE GAUGE | NO. 2 PRESSURE GAUGE | NO. 3 PRESSURE GAUGE | NO. 4 PRESSURE GAUGE |
| NO. 1 PRESSURE GAUGE | NO. 2 PRESSURE GAUGE | NO. 3 PRESSURE GAUGE | NO. 5 PRESSURE GAUGE |
| NO. 1 PRESSURE GAUGE | NO. 2 PRESSURE GAUGE | NO. 3 PRESSURE GAUGE | NO. 6 PRESSURE GAUGE |
| NO. 1 PRESSURE GAUGE | NO. 2 PRESSURE GAUGE | NO. 3 PRESSURE GAUGE | NO. 7 PRESSURE GAUGE |
| NO. 1 PRESSURE GAUGE | NO. 2 PRESSURE GAUGE | NO. 3 PRESSURE GAUGE | NO. 8 PRESSURE GAUGE |
| NO. 1 PRESSURE GAUGE | NO. 2 PRESSURE GAUGE | NO. 3 PRESSURE GAUGE | NO. 9 PRESSURE GAUGE |
| NO. 1 PRESSURE GAUGE | NO. 2 PRESSURE GAUGE | NO. 3 PRESSURE GAUGE | NO. 10 PRESSURE GAUGE |
| NO. 1 PRESSURE GAUGE | NO. 2 PRESSURE GAUGE | NO. 3 PRESSURE GAUGE | NO. 11 PRESSURE GAUGE |
| NO. 1 PRESSURE GAUGE | NO. 2 PRESSURE GAUGE | NO. 3 PRESSURE GAUGE | NO. 12 PRESSURE GAUGE |
| NO. 1 PRESSURE GAUGE | NO. 2 PRESSURE GAUGE | NO. 3 PRESSURE GAUGE | NO. 13 PRESSURE GAUGE |
| NO. 1 PRESSURE GAUGE | NO. 2 PRESSURE GAUGE | NO. 3 PRESSURE GAUGE | NO. 14 PRESSURE GAUGE |
| NO. 1 PRESSURE GAUGE | NO. 2 PRESSURE GAUGE | NO. 3 PRESSURE GAUGE | NO. 15 PRESSURE GAUGE |
| NO. 1 PRESSURE GAUGE | NO. 2 PRESSURE GAUGE | NO. 3 PRESSURE GAUGE | NO. 16 PRESSURE GAUGE |
| NO. 1 PRESSURE GAUGE | NO. 2 PRESSURE GAUGE | NO. 3 PRESSURE GAUGE | NO. 17 PRESSURE GAUGE |
| NO. 1 PRESSURE GAUGE | NO. 2 PRESSURE GAUGE | NO. 3 PRESSURE GAUGE | NO. 18 PRESSURE GAUGE |
| NO. 1 PRESSURE GAUGE | NO. 2 PRESSURE GAUGE | NO. 3 PRESSURE GAUGE | NO. 19 PRESSURE GAUGE |
| NO. 1 PRESSURE GAUGE | NO. 2 PRESSURE GAUGE | NO. 3 PRESSURE GAUGE | NO. 20 PRESSURE GAUGE |

4		
3		
2	PRESS GAUGE	A.P. 1
1	V.M.S.	TV 1000
NO.	ITEM	NO.
SHP NO.	2585-2589	- A -

COMPRESSED AIR SYSTEM

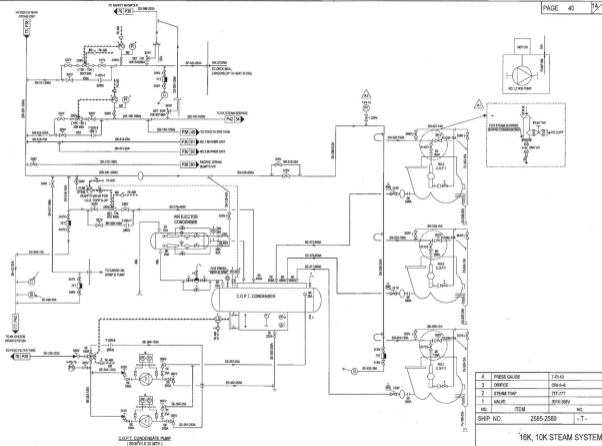


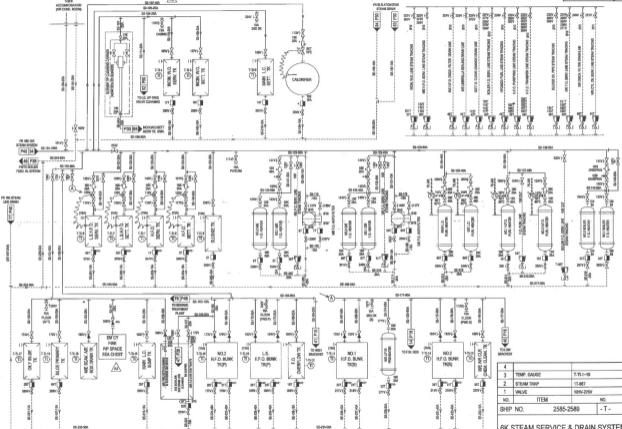
4		
3		
2	CONTROL LEVEL CHARGE	2-5/5-0/1-0/2
1	WAVE	1V/7V
NO.	ITEM	NO.
SHP. NO. 2585-2589		- D -
DOMESTIC F.W. & SANITARY WATER SYSTEM		



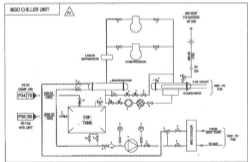
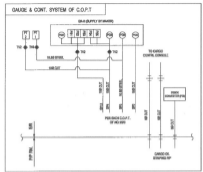
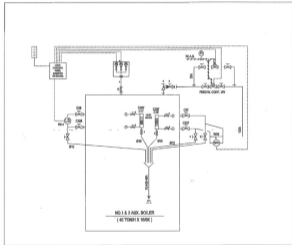
4		
3	TRAP	BT-267
2	ORIFICE	ORF-1-2
1	VALVE	TV-266
NO.	ITEM	NO.
SHP. NO. 2585-2588		- T -

BOILER FEED WATER SYSTEM

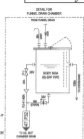
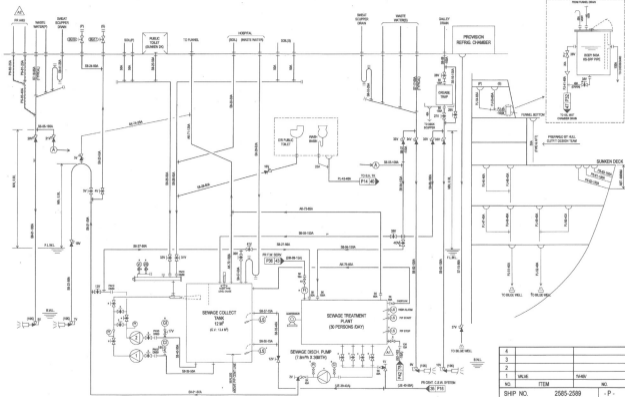




NO.	ITEM	NO.
4	TEMP. GAUGE	1-75-10
2	STEAM TRAP	11-001
1	VALVE	100V-210V
	ITEM	NO.
SHP NO. 2585-2586		- T -
6K STEAM SERVICE & DRAIN SYSTEM		



4		
3		
2		
1	WELME	
NO.	ITEM	NO.
SHIP NO. 2565-2569		- 0 -
BOILER AND C.O.P.T. CONTROL SYSTEM		



4			
3			
2			
1	UNIB	THRV	
NO.	ITEM	NO.	

SHP. NO. 2585-2589 - P -

SOIL DRAINAGE AND DECK SCUPPER SYSTEM

